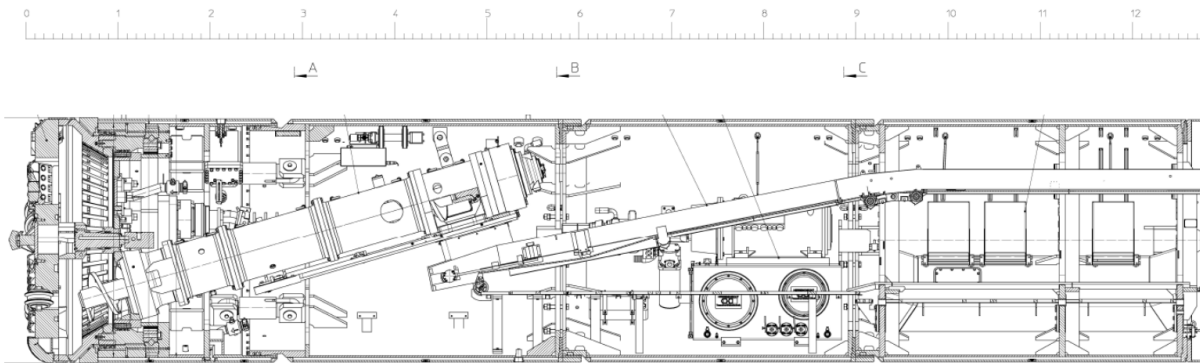


---

## EPB Ø 2595 Remanufactured WITH EXTENSION KIT

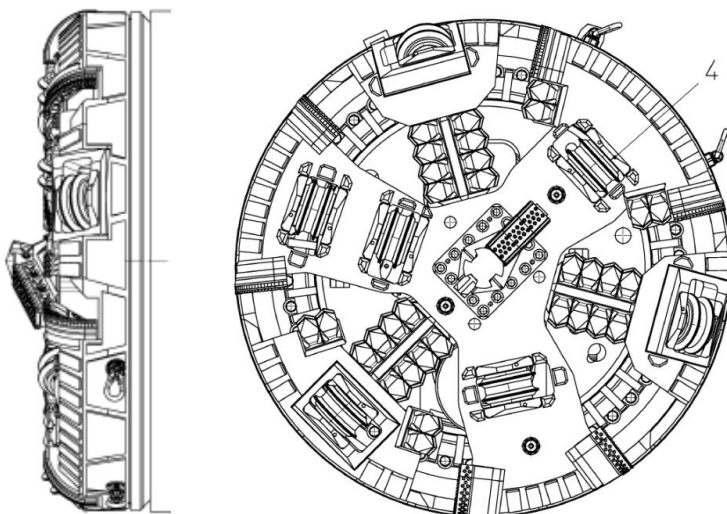
### Technical Offer

**All commercial information is preliminary and  
needs to be confirmed in a personal meeting**



**Existing cutterhead. We can provide the cutting head meeting  
special project requirements like clay or silt.**

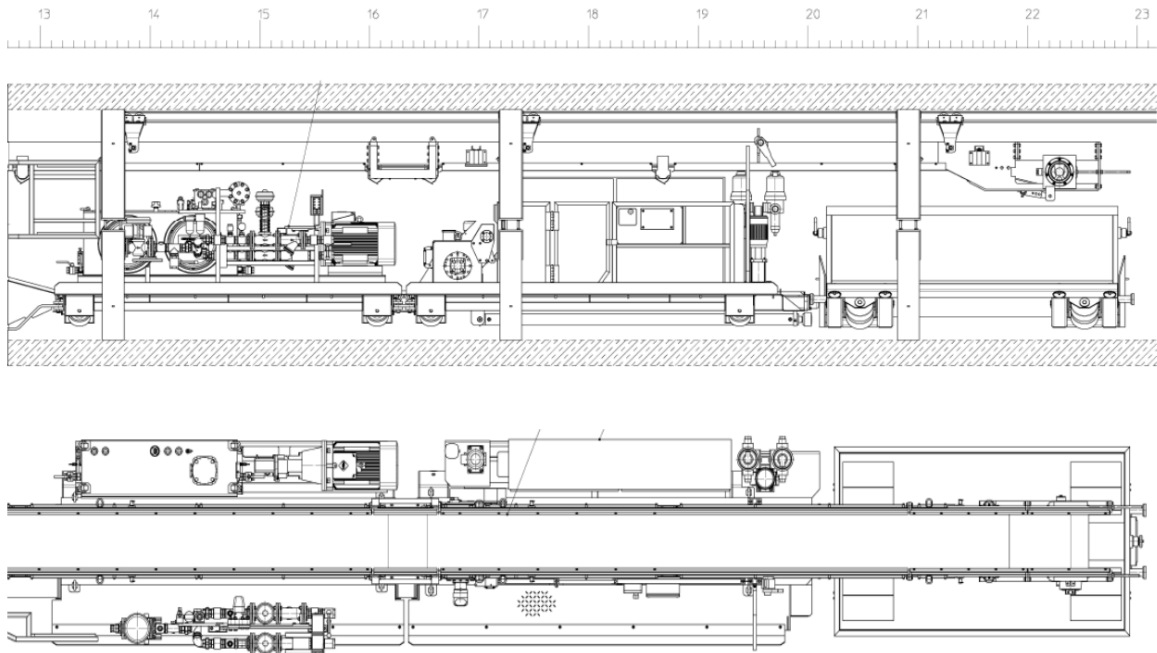
### CUTTERHEAD Ø 2605 Remanufactured



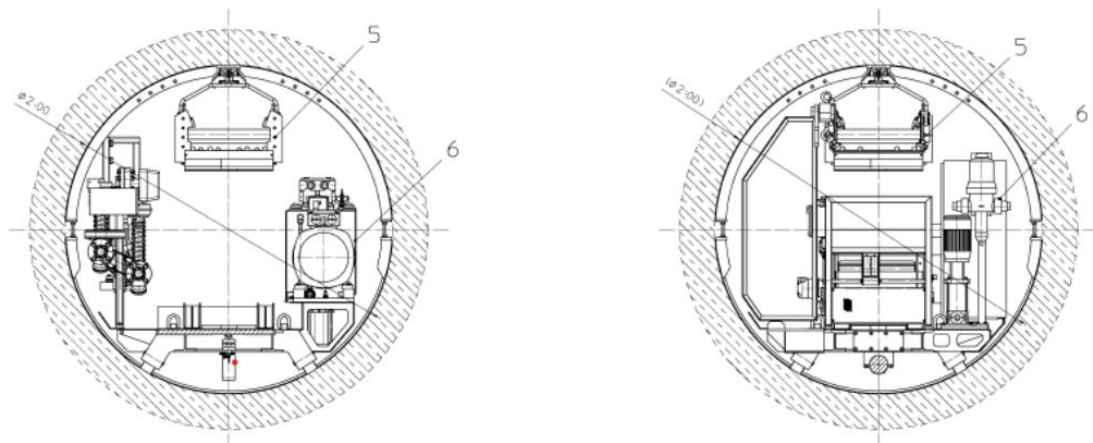




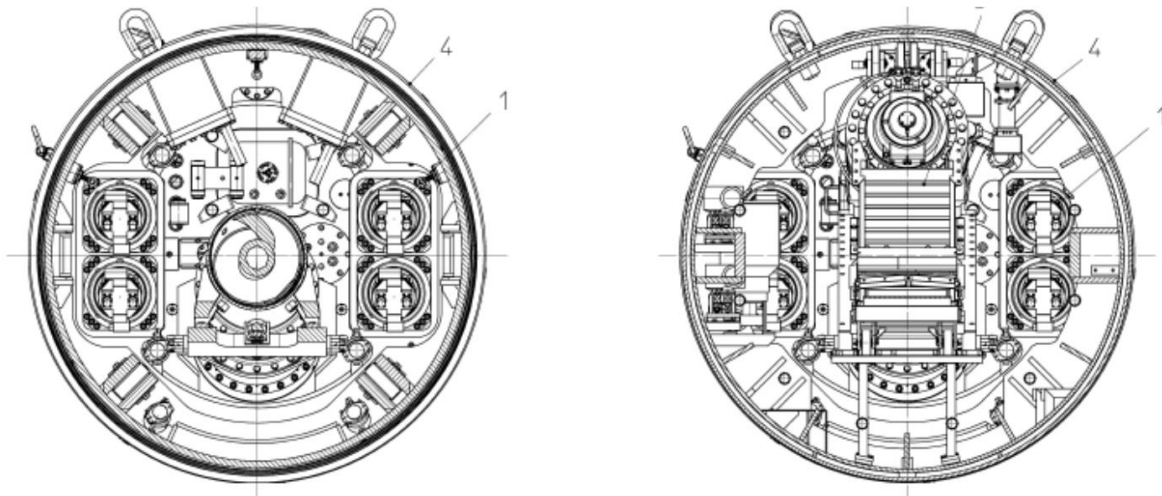
**Gantry System. The skip wagons and segments are delivered by a winch system**



**The gantry system was manufactured for concrete rings. If permalock pipes are going to be used, it gives more space for the gantry and leaves more space inside the tunnel:**



**Screw conveyor is more powerful than in ordinary earth pressure balance TBMs, which makes tunneling in sticky clay easier:**



**The commercial offer for the full set of equipment is preliminary and should be discussed with the customer on the project-to project basis:**

**EPB Ø 2595 Pipe jacking equipment Equipment for pipe OD 2500mm**

Main Equipment		Condition	Single Price	Qty	Scope of Supply
1	EPB2000_OD-2575mm Pipe jacking Machine refurbished	Refurbished		1	incl.
2	Control Container refurbished 55kW Jacking aggregat, 450 kVA Transformer	Refurbished		1	incl.
3	Guidance System (Laser + Target+ ) incl Cable for 200 m	New		1	incl.
5	Cutting Wheel 2510 mixed ground	New		1	incl.
<b>Total of Main Equipment</b>					

Auxiliary Equipment		Condition	Single Price	Qty	Scope of Supply
1	Shaft winch	Refurbished		1	incl.

2	Jacking Station 1200 ton, 3,5 m stroke	Refurbished / New		1	incl.
3	Interjacking Stations, consisting of thrust cylinders ( 700mm Stroke ) with connection hoses and wine Racks	New		2	incl.
4	Power Supply Cable incl. Data cable, Shaft switches etc	New		1	incl.
5	1xMuck skip Carrier, Muck skips 1x new; 1x refurbished	Refurbished / New		1	incl.
6	Automatic Lubrication System (15 outlets/ 5 Stations) including Cables (no Air hoses/no Bentonit lines)			5	incl.
7	Shaft launching lip seal	Refurbished		1	incl.
<b>Total of Auxiliary Equipment</b>					

Services		Single Price	Qty	Scope of Supply
1	Service fee (Transports, custom clearance)		1	incl.

<b>Total Package Price-Rental fee per month</b>				<b>275 000 EUR</b>
---	--	--	--	--------------------

<b>General Terms</b>	Validity of budget offer 2 weeks from date of issuing			
<b>Delivery</b>	app. 16 weeks ex works after clarification of all			

	technical items, after confirmation of the pipe diameter, after receipt of the pipe drawing and, after receipt of the down payment and after confirmation of the agreed payment security				
<b>Warranty</b>					
<b>Personnel</b>	For commissioning and training a technician will be at site for 2 weeks; travel mobility and accommodation go towards purchaser. More support possible acc. service price list				
<b>Payment Terms Purchase</b>	min rental time	6 months			
	Downpayment	first rent			
	Payments for 5 months, starting of excavation	First of month			
<b>ex works</b>	Transport	incl			

Best regards,

Signature:

Executive Director

Vasily Anishchenko

[www.smp-tunnel.com](http://www.smp-tunnel.com)

[smp@smp-tunnel.com](mailto:smp@smp-tunnel.com)

[+1 847 997 39 17](tel:+18479973917)

**Please, do not hesitate to contact us**